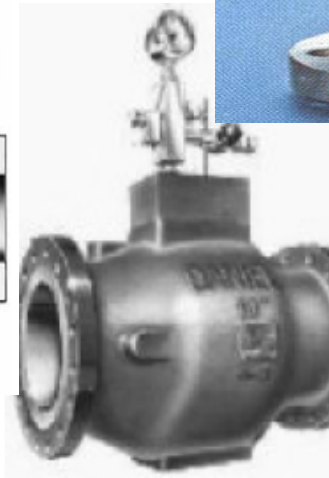
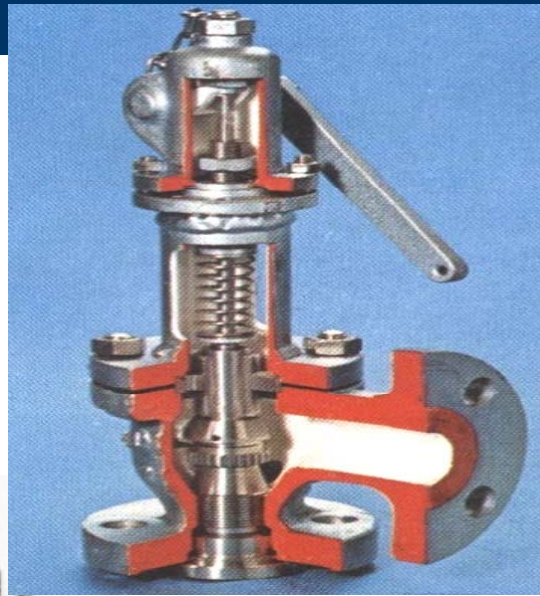
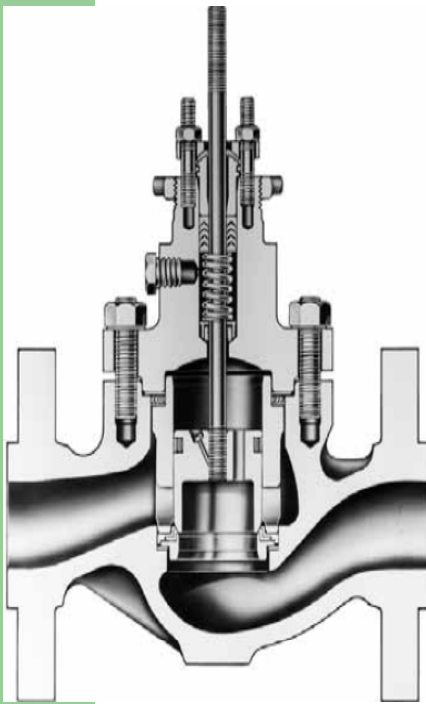


Valves

Selection, Installation, and Maintenance



Valves

**Selection, Installation, and
maintenance**

Course Program and Contents:



- 1- **Introduction+ movie** (all types of valves, basic functions, selection).
- 2- **Fundamentals** (hydraulic considerations, construction, Classes or ratings, materials, standards for valves, standards for different parts).
- 3- **Fluid Flow in valves** (calculation of pressure losses, design & sizing parameters, cavitations, fluid-tightness, solved example on sizing)
- 4- **Operation of Manual Valves** (types, selection, connections, operation)
- 5- **Non-manual Valves: Check Valves** (types, selection, design and installation factors, examples) **+ a movie**
- 6- **Control Valves: Pressure Relief Valves** (direct acting, characteristics)
- 7- **Automatic&Electric Valves** (spool types, single/multi-stage controls)
- 8- **Problems of Valves & valve Maintenance** (some movies)
- 9- **Water Hammer**
- 10- **Special Types of valves (in Hydraulic or Pneumatics Circuits)**

Also related to Course Program and Contents: What do we have on the CD ?

